

# CdTe Power Glass

## *Installation Scenarios and Structures*

*Power the building,  
beautify the earth* >

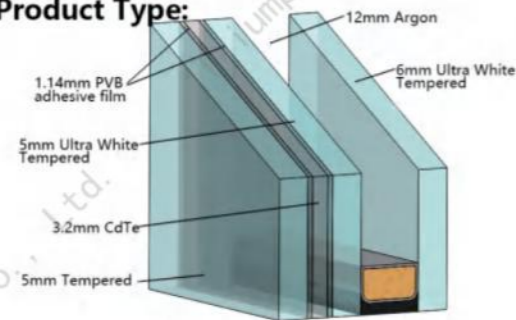
# Building Curtain Wall

## Wuliangye CdTe PV daylighting facade Project

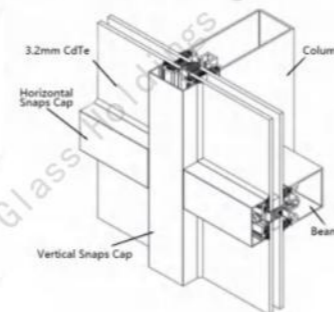


- Product specifications: Insulating Transparent Series; 6mm Low-e Tempered Glass+12mm Argon +5mm Ultra Clear Tempered Glass+1.14mm PVB+3.2mm CdTe Glass (40%)+1.14mm PVB+5mm Clear Float Tempered Glass
- Project Location: Chengdu,Sichuan
- Project Type: Facade BIPV

### Product Type:



### Curtain Wall Installation:

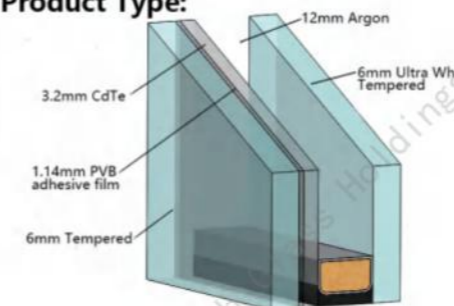


## Xinchuan CdTe PV daylighting facade Project

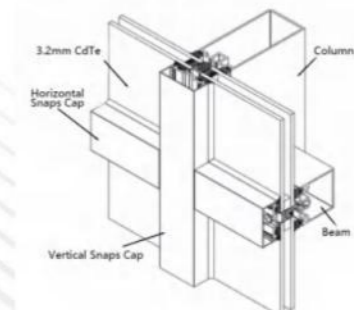


- Product specifications: Insulating Transparent Series; 6mm Ultra Clear Low-e Tempered Glass+ 12mmArgon+3.2mm CdTe Glass (40%) +1.14mm PVB+6mm Clear Float Tempered Glass
- Project Location: Chengdu,Sichuan
- Project Type: Facade BIPV

### Product Type:



### Curtain Wall Installation:



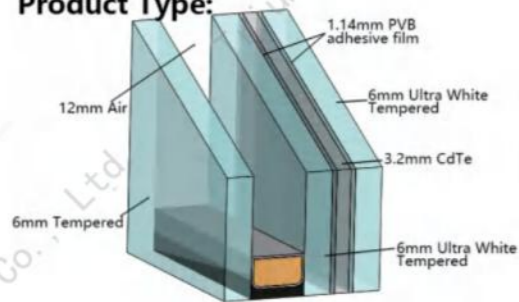
# Building Curtain Wall

## Western China Science and Technology Innovation Harbor Project

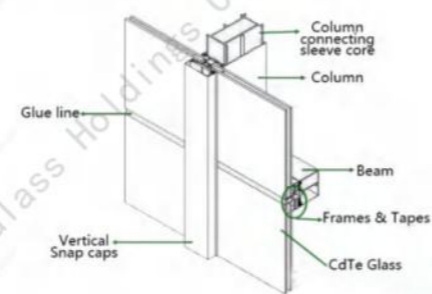


- Product specifications: Insulating Transparent Series; 6mm Ultra Clear Tempered Glass +1.14mm PVB +3.2mm CdTe Glass (40%)+1.14mm PVB+6mm Tempered Glass+12mm Air+6mm Tempered Glass
- Project Location: Xian, Shaanxi
- Project Type: Facade BIPV

### Product Type:



### Semi-hide Curtain Wall Installation:

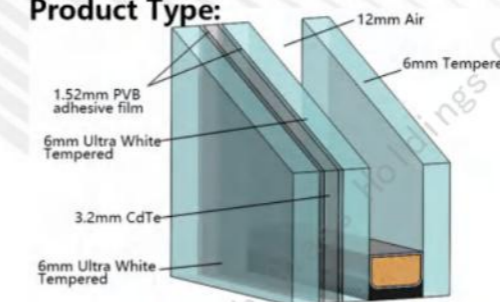


## Wuhan CdTe PV window Project

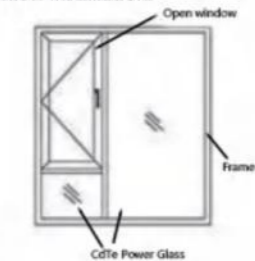


- Product specifications: Insulating Transparent Series; 6mm Ultra Clear Low-E Tempered glass + 12mm Air (with spacer) +6mm Ultra Clear Tempered Glass + 1.52mm PVB+3.2mm CdTe Glass (40%) +1.52mm PVB+ 6mm Ultra Clear Tempered Glass
- Project Location: Wuhan, Hubei
- Project Type: Facade BIPV

### Product Type:



### Aluminum alloy window installation:



# Building Curtain Wall

## Triumph Robotics Intelligent Equipment R&D Center Project



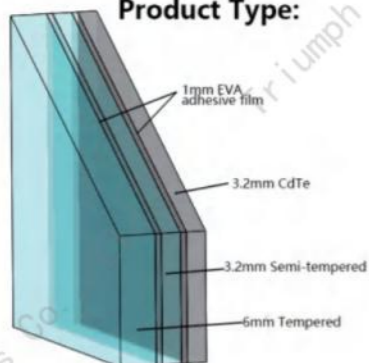
- Product specifications: Standard Series; 3.2mm CdTe Glass+1mm EVA+3.2mm HS Glass+1mm EVA+6mm Tempered Glass
- Project Location: Shanghai
- Project Type: Facade BIPV

## National Key Laboratory of Glass Project

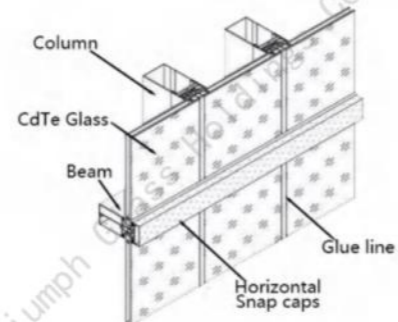


- Product specifications: Colored Glazing Series; 3.2mm Colored Glazing Glass+0.76mm PVB+3.2mm CdTe Glass +0.76mm PVB+3.2mm Tempered Glass
- Project Location: Bengbu, Anhui
- Project Type: Facade BIPV

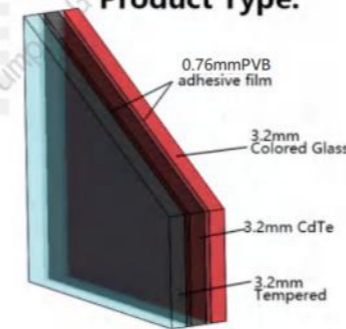
Product Type:



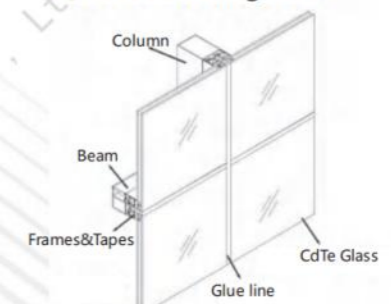
Semi-hide Curtain Wall Installation:



Product Type:



Full hidden frame curtain wall installation diagram:

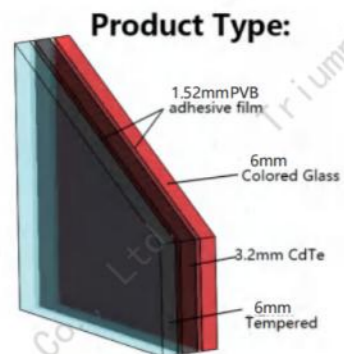


# Building Curtain Wall

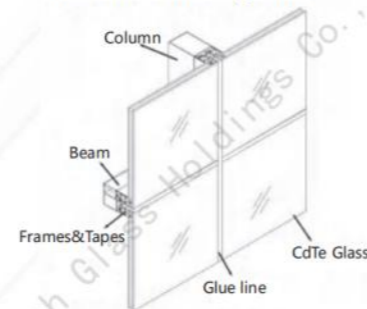
## Guoxian Technology Tower Project



- Product specifications: Colored Glazing Series; 6mm Colored Glazing Glass+1.52mm PVB+3.2mm CdTe Glass +1.52mm PVB+6mm Tempered Glass
- Project Location: Shenzhen, Guangdong
- Project Type: Facade BIPV



**Full hidden frame curtain wall installation diagram:**

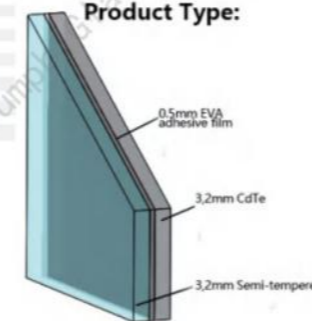


## Ministry of Science and Technology Office Building Project

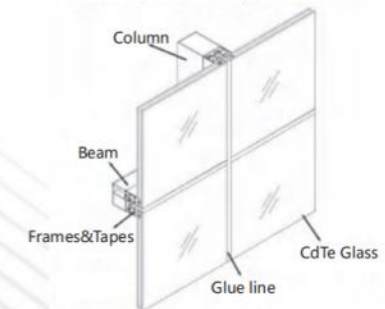


- Product specifications: Standard Series; 3.2mm CdTe Glass+0.5mmEVA+3.2mm HS glass
- Project Location: Beijing
- Project Type: Roof BIPV, Facade BIPV

**Product Type:**



**Full hidden frame curtain wall installation diagram:**



# Building Roof

## Bengbu Zhongguang Optoelectronics Production Workshop Photovoltaic Integration Project



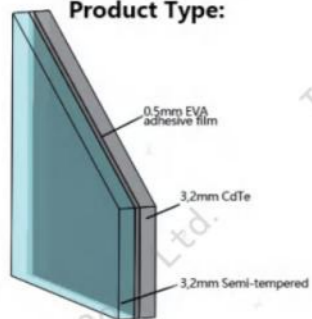
- Product specifications: Standard Series; 3.2mm CdTe Glass+0.5mm EVA+3.2m HS Glass
- Project Location: Bengbu, Anhui
- Project Type: Roof BIPV, Facade BIPV

## Shenzhen Sihai Multi-level Parking Garage Project

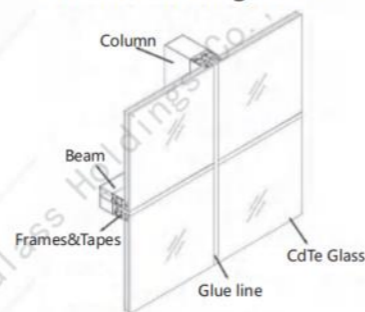


- Product specifications: Standard Series; 3.2mm CdTe Glass+0.5mm EVA+3.2mm HS Glass
- Project Location: Shenzhen, Guangdong
- Project Type: Roof BIPV

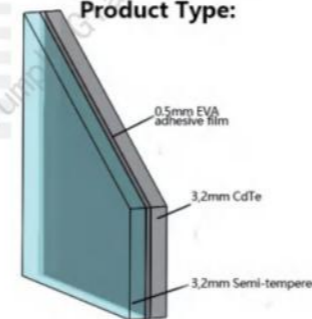
Product Type:



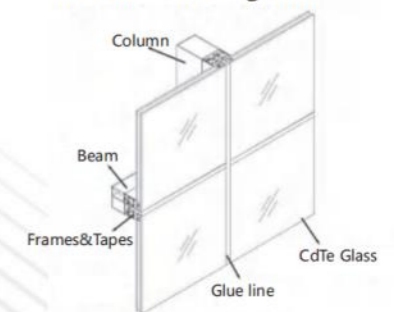
Full hidden frame curtain wall installation diagram:



Product Type:



Full hidden frame curtain wall installation diagram:



# Tiled Roof

## Chengdu Park City Education Practice Base Project



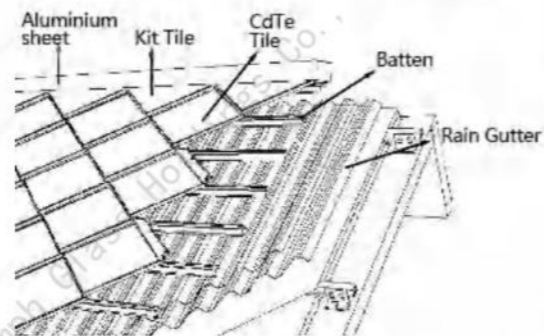
- Product specifications: PV Tile-Rhombic Series; 3.2mm CdTe Glass+0.5mm EVA+3.2m HS Glass
- Project Location: Chengdu,Sichuan
- Project Type: Rooftop PV tiles

### Product Type:



3.2mm CdTe + 0.5mm EVA Adhesive film + 3.2mm Semi-tempered

### CdTe photovoltaic tile roof installation plan:

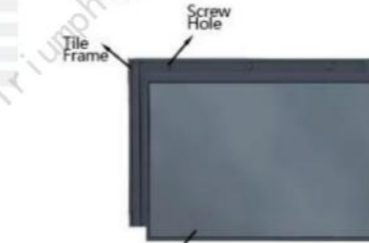


## Yibin World Energy Storage Conference Main Venue Project



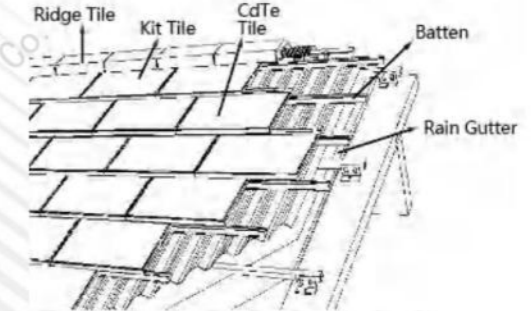
- Product specifications: PV Tile-Small Classic Series; 3.2mm CdTe Glass+0.5mm EVA+3.2mm HS Glass
- Project Location: Yibin, Sichuan
- Project Type: Rooftop PV tiles

### Product Type:



3.2mm CdTe + 0.5mm EVA Adhesive film + 3.2mm Semi-tempered

### CdTe photovoltaic tile roof installation plan:



# Tiled Roof

## Qionglai Hotel Project



- Product specifications: PV Tile-Grand Classic Series; 3.2mm CdTe Glass+0.5mm EVA+3.2mm HS Glass
- Project Location: Chengdu,Sichuan
- Project Type: Rooftop PV tiles

## Jingrong Lake Leisure Service and Recreation Center Project



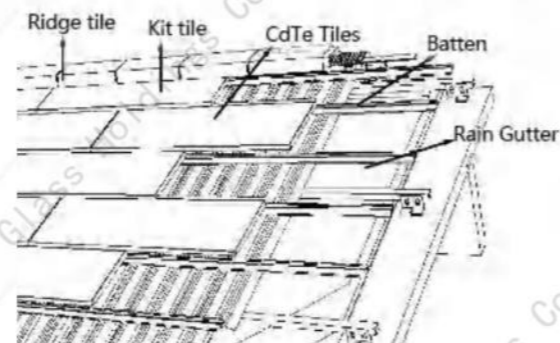
- Product specifications: PV Tile-Plate Series; 3.2mm CdTe Glass+0.5mm EVA+3.2mm HS Glass
- Project Location: Chengdu,Sichuan
- Project Type: Rooftop PV tiles

### Product Type:



3.2mm CdTe + 0.5mm EVA Adhesive film + 3.2mm Semi-tempered

### CdTe photovoltaic tiles roof installation plan:

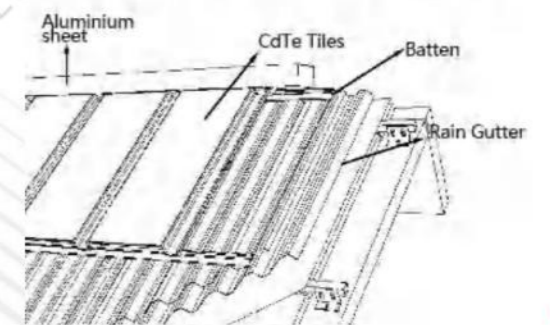


### Product Type:



3.2mm CdTe + 0.5mm EVA Adhesive film + 3.2mm Semi-tempered

### CdTe photovoltaic tiles roof installation plan:



# Skylight

## World Top Scientists Community Artificial Intelligence Laboratory Project

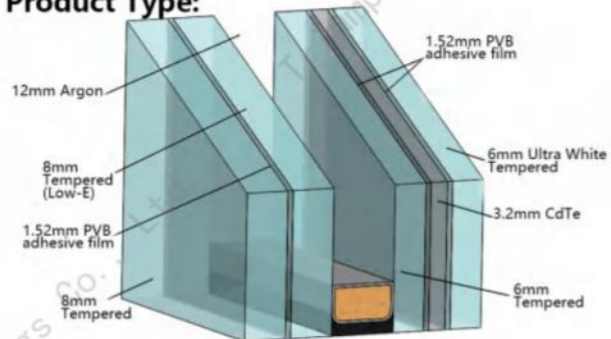
## Xiamen Xiang'an International Airport Project



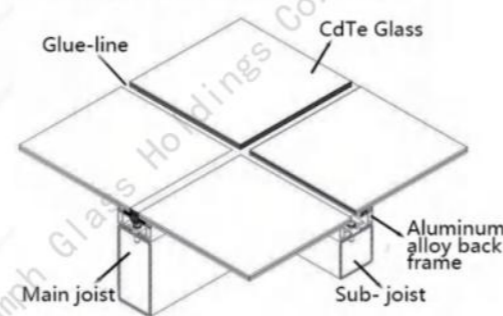
- Product specifications: Insulating Transparent Series; 6mm Ultra Clear Tempered Glass+1.52mm PVB+3.2mm CdTe Glass+1.52mm PVB+6mm Tempered Glass+12 Ar+8mm Low-E Tempered Glass +1.52mm PVB+8mm Tempered Glass
- Project Location: Shanghai
- Project Type: Power-generating glass skylight

- Product specifications: Insulating Transparent Series; 5mm Ultra Clear Tempered Glass+1.14mm PVB+3.2 CdTe Glass (40%) +1.14mm PVB+5mm Ultra Clear Tempered Glass
- Project Location: Xiamen, Fujian
- Project Type: Power-generating glass skylight

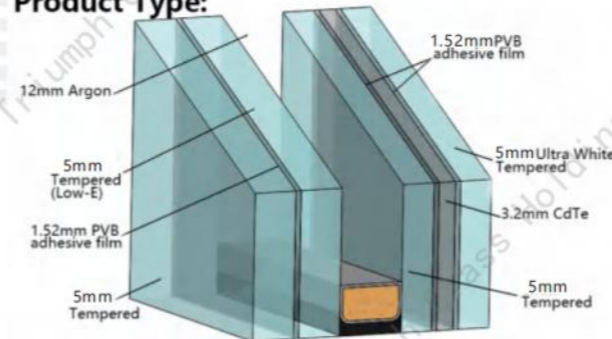
### Product Type:



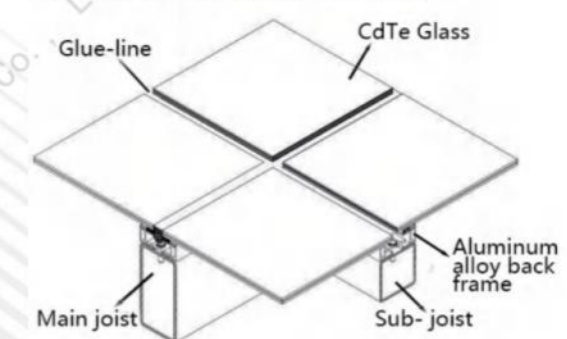
### Installation Instruction:



### Product Type:



### Installation Instruction:

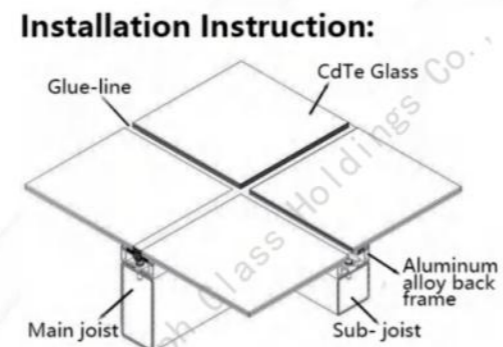
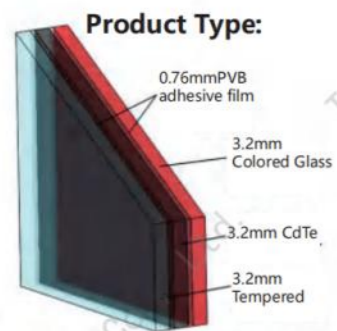


# Canopy / Covered Walkway

## Shenzhen Virtual University Project



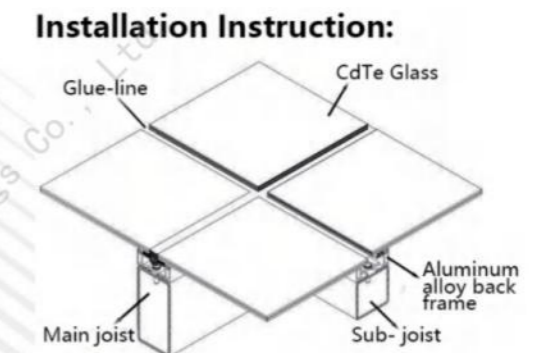
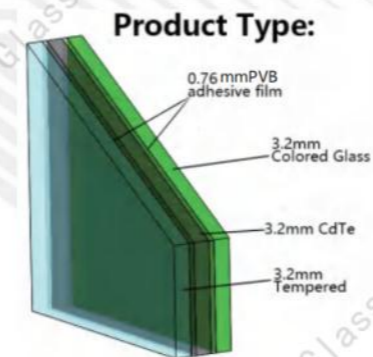
- Product specifications: Colored Glazing Series; 3.2mm Colored Glazing Glass+0.76mm PVB+3.2mm CdTe Glass+0.76mm PVB+3.2mm Tempered Glass
- Project Location: Shenzhen, Guangdong
- Project Type: Rooftop BIPV



## Meizhou Island Power Generation Glass Wind and Rain Corridor Project



- Product specifications: Colored Glazing Series; 3.2mm Colored Glazing Glass+0.76mm PVB+3.2mm CdTe Glass+0.76mm PVB+3.2mm Tempered Glass
- Project Location: Putian, Fujian
- Project Type: Power-generating glass corridor

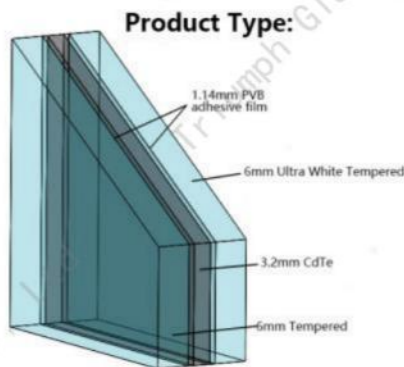


# Sun Visor

## Chengdu Smart Center Building Project



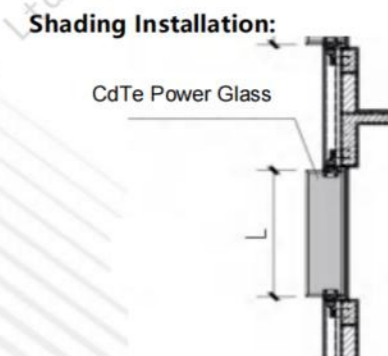
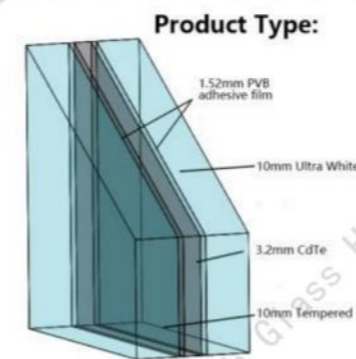
- Product specifications: Standard Series; 6m Ultra Clear Tempered Glass+1.14mm PVB+3.2mm CdTe Glass+1.14mm PVB+6mm Clear Float Tempered Glass
- Project Location: Chengdu,Sichuan
- Project Type : Power-generating glass sunshade panel



## Hubei Liantou Tower Sunshades Project

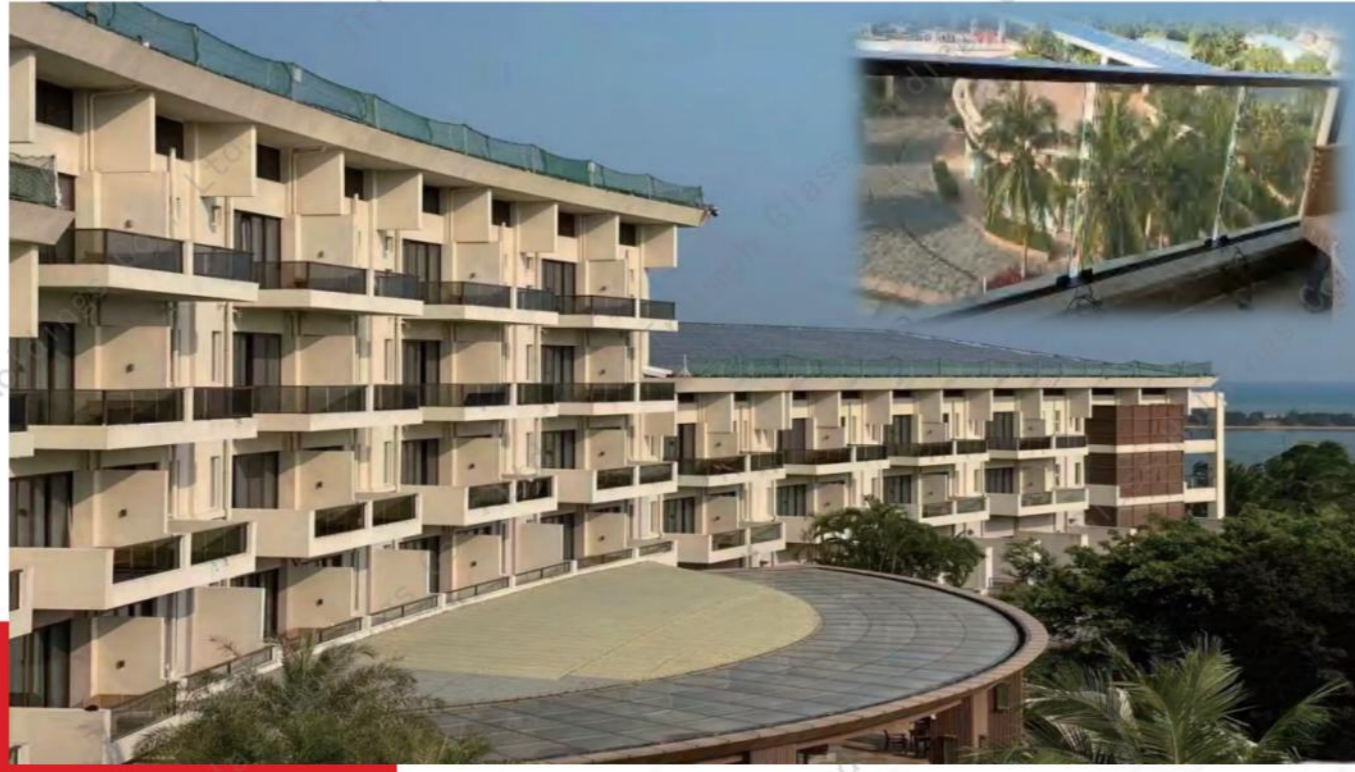


- Product specifications: Standard Series; 10mm Ultra Clear Tempered Glass+1.52mm PVB +3.2mm CdTe Glass (20%) +1.52mm PVB+10mm Clear Float Tempered Glass
- Project Location: Wuhan, Hubei
- Project Type: Facade Shading

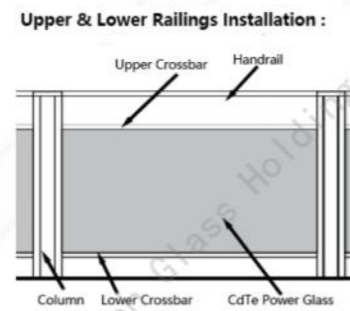
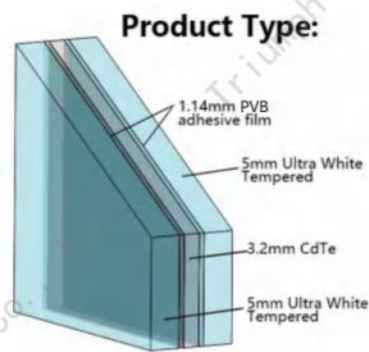


# Railing / Walkway

## Boao Forum for Asia International Center Project



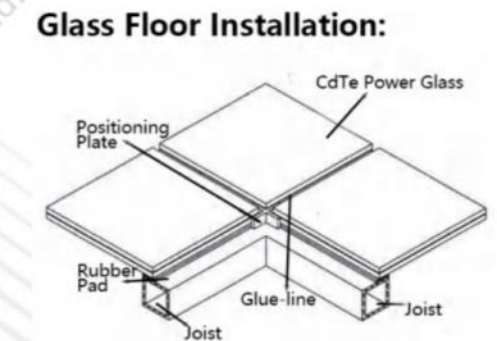
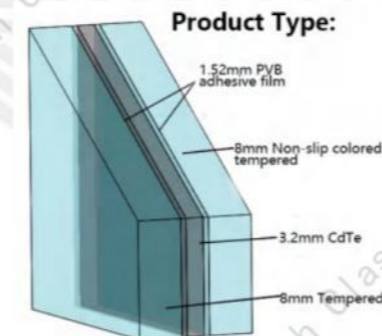
- Product specifications: Transparent Series; 5mm Ultra Clear Tempered Glass + 1.14mm PVB + 3.2mm CdTe Glass (40%) + 1.14mm PVB + 5mm Ultra Clear Tempered Glass
- Project Location: Qionghai, Hainan
- Project Type: Power-generating glass railing



## China Mobile Office Building Rooftop Power Generation Walkway Project



- Product specifications: Imitation Stone Series; 8mm Tempered Glass + 1.52mm PVB + 3.2mm CdTe Glass (40%) + 1.52mm PVB + 8mm Non-slip colored Tempered Glass
- Project Location: Chengdu, Sichuan
- Project Type: Power-generating Glass Walkway



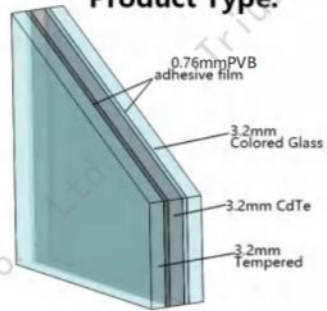
# Carport

## Yibin Expressway High tech Toll Station Project

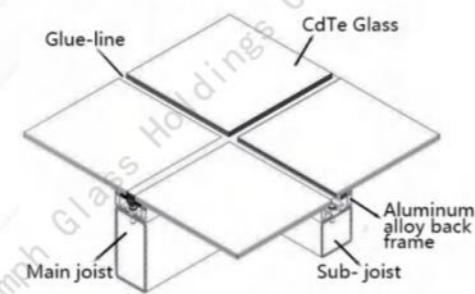


- Product specifications: Colored transparent series; 3.2mm Tempered Glass+0.76mm PVB+3.2mm CdTe Glass (20%) +0.76mm PVB+3.2mm Tempered Glass
- Project Location: Yibin, Sichuan
- Project Type: Power-generating Glass Carport

### Product Type:



### Installation Instruction:

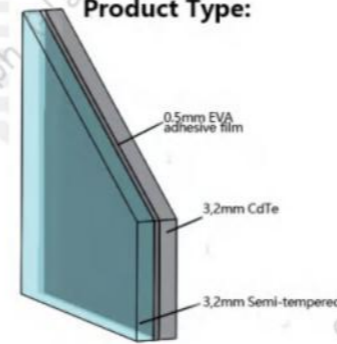


## Tianfu Software Park Zone C Photovoltaic Storage Charging and Discharging Demonstration Project

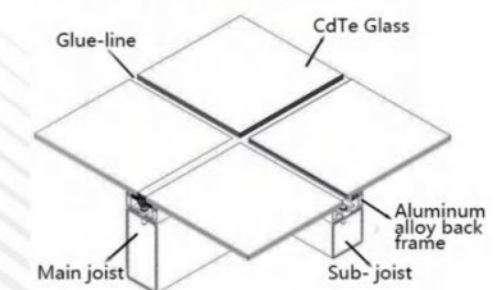


- Product specifications: Standard Series; 3.2mm CdTe Glass+0.5mmEVA+3.2mm HS glass
- Project Location: Chengdu,Sichuan
- Project Type: Power-generating Glass Carport

### Product Type:

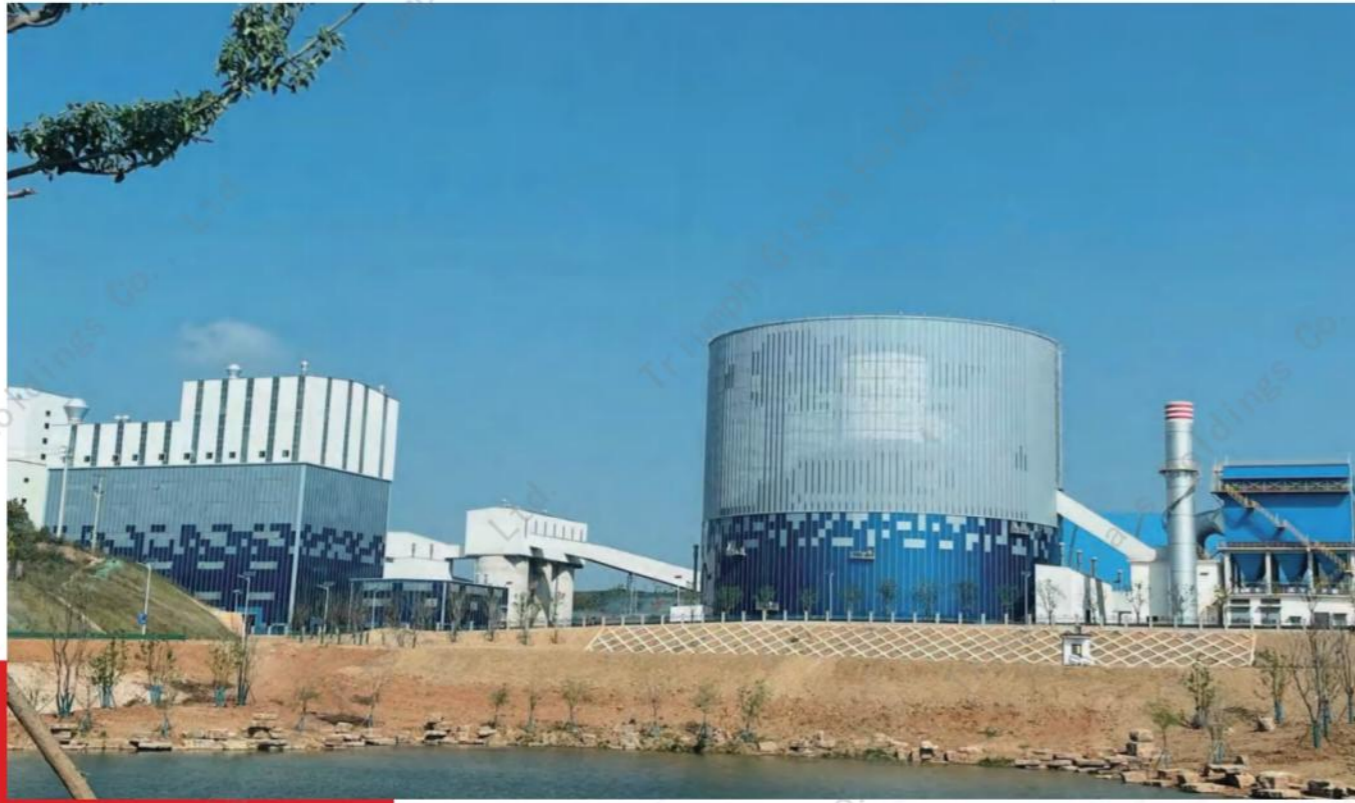


### Installation Instruction:



# Industrial transformation

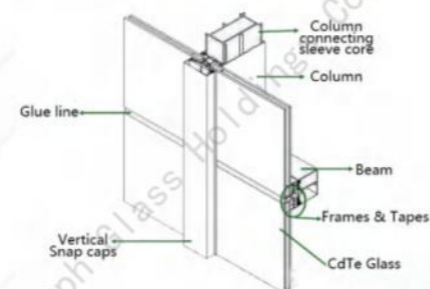
## Hefei Southern Cement Plant Project



- Product specifications: Colored Glazing Series; 3.2mm Colored Glazing Glass+0.76mm PVB+3.2mm CdTe Glass+0.76mm PVB+3.2mm Tempered Glass
- Project Location: Hefei, Anhui
- Project Type: Curtain Wall BIPV



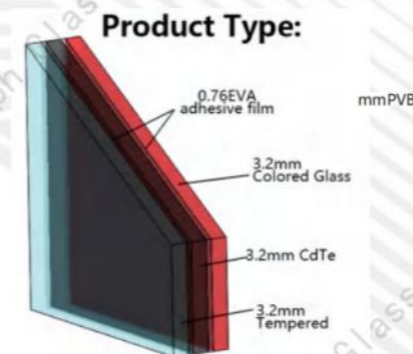
**Semi-hide Curtain Wall Installation:**



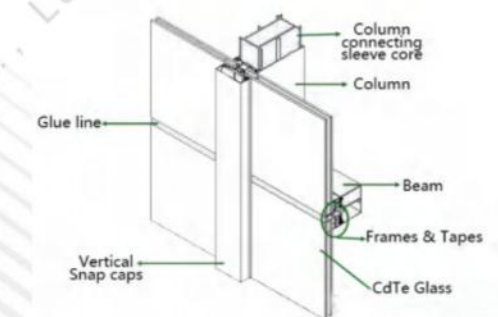
## Lijiang Cement Plant Project



- Product specifications: Colored Glazing Series; 3.2mm Colored Glazing Glass+0.76mm PVB+3.2mm CdTe Glass +0.76mm PVB+3.2mm Tempered Glass
- Project Location: Lijiang, Yunnan
- Project Type: Curtain Wall BIPV



**Semi-hide Curtain Wall Installation:**



# Photovoltaic+



sound barrier



CdTe Smart Bench



CdTe Smart Station



Zero-Carbon All-Purpose Warehouse



CdTe PV-integrated Storage Station



CdTe PV Umbrella



CdTe Aerospace Shelter



CdTe Retrofitting Elevators for Existing Buildings